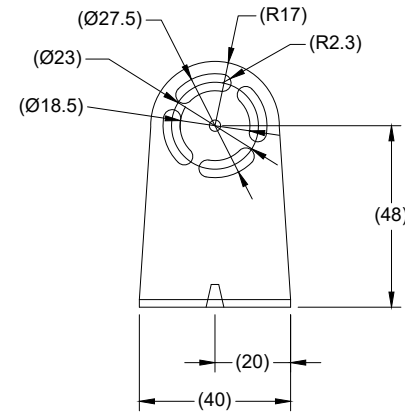
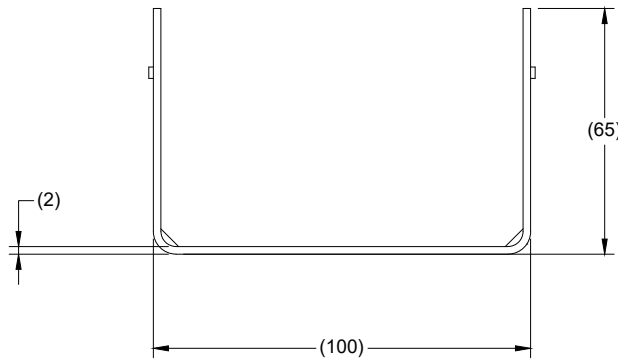
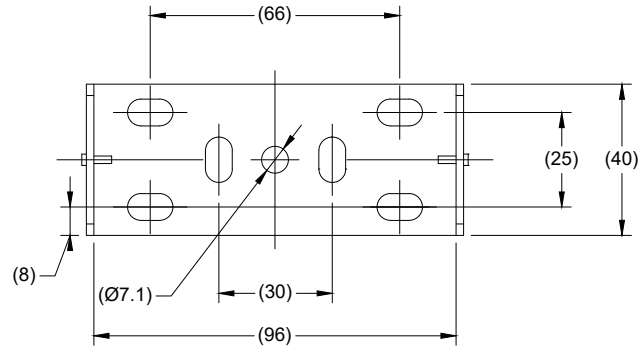


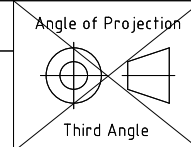
Revision Notes.				
R1 -				
APA: -	Drawn:-	Checked:-	Approved:-	Date: -



- NOTES:**
- 1 .MATERIAL : STAINLESS 2.0T (THICKNESS)
 2. COLOR : BLACK
 3. ANY CUSTOMER MODIFICATION OF THIS PRODUCT CAUSING SUBSEQUENT FAILURE IS NOT A LIABILITY OF BRIGADE ELECTRONICS PLC.

PROPRIETARY NOTICE
 THIS DESIGN AND TECHNICAL INFORMATION APPEARING ON THIS DRAWING IS THE PROPERTY OF BRIGADE ELECTRONICS, AND IS DISCLOSED IN CONFIDENCE. IT IS NOT TO BE COPIED, REPRODUCED, REVEALED TO OR EXPROPRIATED BY OTHERS, EITHER IN WHOLE OR IN PART WITHOUT THE EXPRESS WRITTEN CONSENT OF BRIGADE ELECTRONICS.

Brigade
 brigade-electronics.com



Sheet 1 of 1	Assembly Pl Approval T. CHOI	Approved by A. KEBEDE	Checked by F. ADEMUJIMI	Drawn by E. MATHEW
Customer Approval -	Units mm		Scale N/A	Released 15/05/2025
Assembly Ref -		Status RELEASED	BE-811XC-BKT	
Part No 8172		BE-004981-00-24		